



## 1400 Series Hydraulic Throw-Out Bearing Instructions

Congratulations! You have just purchased a precision engineered hydraulic throw out bearing assembly. Properly installed, this bearing assembly will provide you with proper clutch engagement and release for many trouble-free miles. Please review these instructions to become familiar with key parts along with the proper installation procedures for this product. Prior to beginning this installation let's be certain you have the correct hydraulic throw out bearing assembly for your application. McLeod offers two distinct types of hydraulic throw out bearing assemblies, the Slip-On style (1400 Series), and the Bolt-On style (1300 Series). By taking a few easy measurements on your bell housing to clutch release fingers you can easily determine if this bearing is correct for your application.

**NOTE: McLeod Hydraulic Throw Out bearing assemblies will not work with counter weighted diaphragm style pressure plates (Centerforce). If the weights are removed the bearing will function as designed.**

**NOTE: McLeod Hydraulic Throw Out bearing assemblies will not work with self-adjusting pressure plates. A standard Non Adjusting pressure plate is required.**

1406-XX

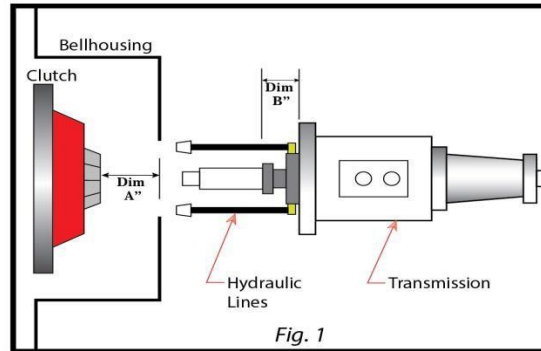
1400-XX



## Hydraulic Bearing/Slave Dimensional Sheet

T-5 / T-10, Super T-10 / Toploader /Muncie / Saginaw / TKO  
500/600/TKX 5 Speed Transmissions / Richmond 5 & 6 Speed/  
A833

This chart is to help determine the clearance you have between the tips of the fingers on the pressure plate and the face of the internal slave/hydraulic bearing. Before measuring, please make sure to have a precision measuring device that measures at least .00" decimal place values. A tape measurer or ruler will **NOT** suffice for this exercise. A digital or dial caliper/veneer is the perfect tool for this exercise.



Measure and record your "A" dimension from the transmissions mounting surface to the tip of the pressure plate finger when clutch is fully installed and torqued down. Write Dimension "A" Here \_\_\_\_\_

Measure and record your "B" dimension from the face of the bearing/slave to the mating surface of the transmission, with the bearing fully compressed before fluid is used. Write Dimension "B" Here \_\_\_\_\_

Subtract Dim "B" from Dim "A" and your equation will be! \_\_\_\_\_

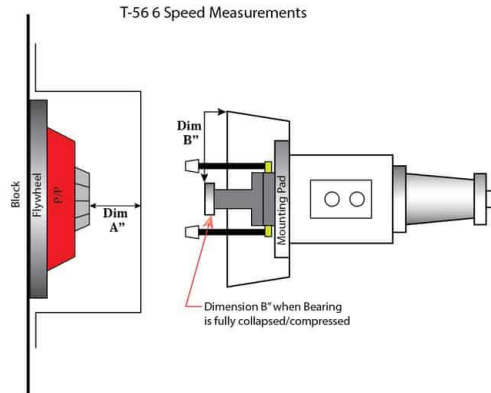
**You need a minimum .100" to a maximum .250" clearance.**

## Hydraulic Bearing/Slave Dimensional Sheet

1993-97 LT1 T-56 / 1998-02 LS1 T-56 / 2003-04 Cobra T-56 / Viper T-56 / GTO T-56

T-56 Magnum / T-56 Magnum XL.

This chart is to help determine the clearance you have between the tips of the fingers on the pressure plate and the face of the internal slave/hydraulic bearing. Before measuring, please make sure to have a precision measuring device that measures with at least .00" decimal place values. A tape measure or ruler will **NOT** suffice for this exercise. A digital or dial caliper/veneer is the perfect tool for this exercise.



Measure and record your "A" dimension from the transmissions mounting surface to the tip of the pressure plate finger when clutch is fully installed and torqued down.

Write Dimension "A" Here \_\_\_\_\_

Measure and record your "B" dimension from the face of the bearing/slave to the mating surface of the transmission, with the bearing fully compressed before fluid is used.

Write Dimension "B" Here \_\_\_\_\_

Subtract Dimensions: Subtract "B" from "A" and equation is your clearance. \_\_\_\_\_

**1400-XX - You need a minimum .100" to a maximum .250" clearance.**

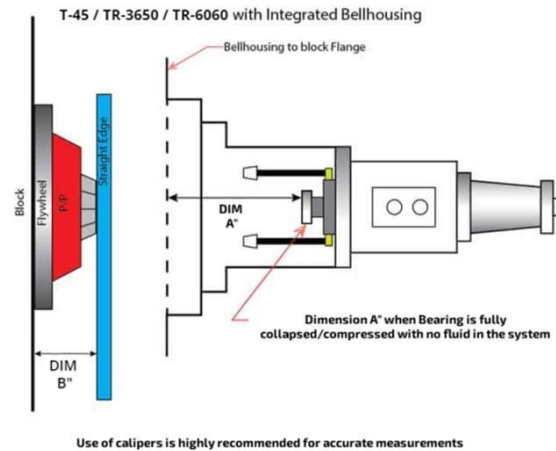
**1406-XX - You need a minimum .100" to a maximum .300" clearance.**

The farther towards the maximum clearance the better for disc wear and longer clutch life.

## Hydraulic Bearing/Slave Dimensional Sheet

T-45 / TR-3650 / TR-6060 / MT-82 and Transmissions with Integrated Bellhousings.

This chart is to help determine the clearance you have between the tips of the fingers on the pressure plate and the face of the internal slave/hydraulic bearing. Before measuring, please make sure to have a precision measuring device that measures with at least .00" decimal place values. A tape measure or ruler will **NOT** suffice for this exercise. A digital or dial caliper/veneer is the perfect tool for this exercise.



Measure and record your "A" dimension from the transmissions mounting surface to the tip of the pressure plate finger when clutch is fully installed and torqued down.

Write Dimension "A" Here \_\_\_\_\_

Measure and record your "B" dimension from the face of the bearing/slave to the mating surface of the transmission, with the bearing fully compressed before fluid is used.

Write Dimension "B" Here \_\_\_\_\_

Subtract Dimensions: Subtract Dim "B" from Dim "A" Equation is your clearance. \_\_\_\_\_

**1400-XX - You need a minimum .100" to a maximum .250" clearance.**

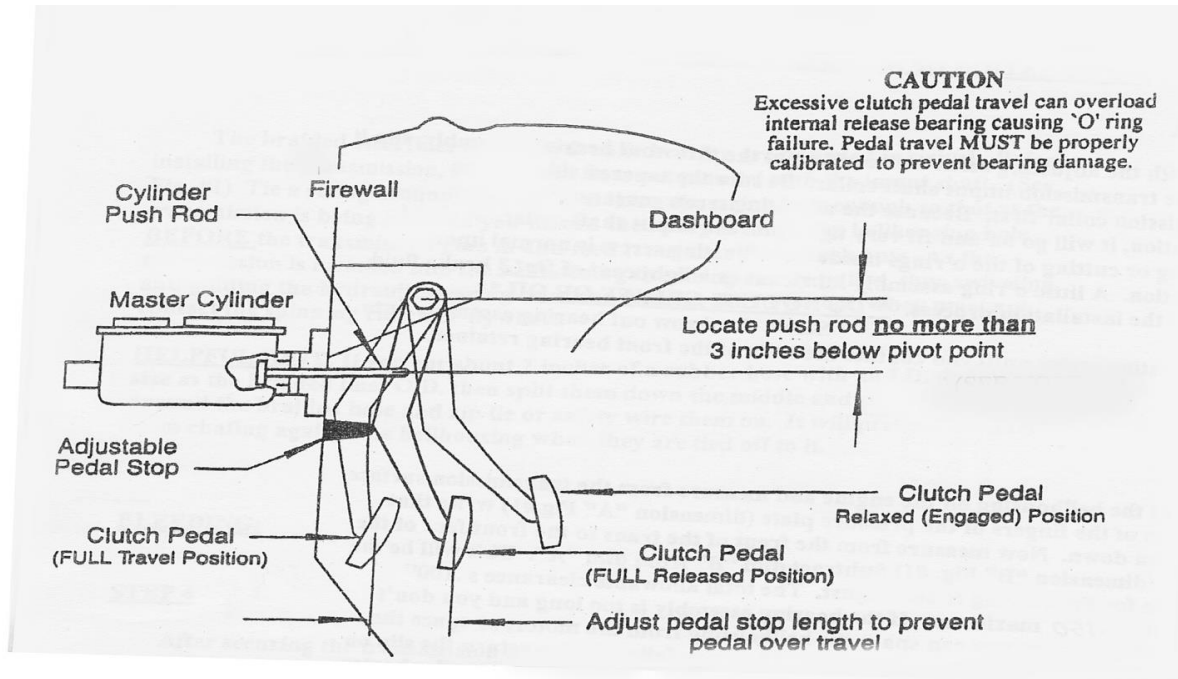
**1406-XX - You need a minimum .100" to a maximum .300" clearance.**

The farther towards the maximum clearance the better for disc wear and longer clutch life.

## Installation Instructions

Before installing the hydraulic Throw out Bearing Assembly let's look at your master cylinder and pedal assembly combination. Key parts to the system:

- 1) Master cylinder bore size ( $\frac{3}{4}$ " recommended). Bore Diameter found on side of most aftermarket master cylinders.
- 2) Clutch pedal travel.
- 3) Master cylinder "Push Rod" stroke should be 1" minimum.
- 4) 6:1 Pedal ratio.



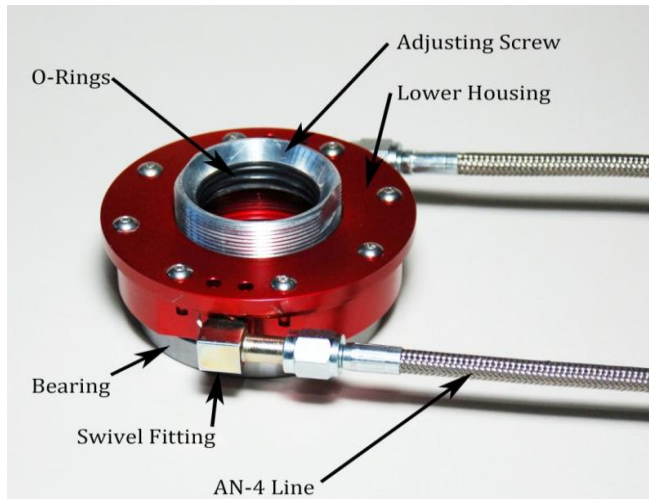
The master cylinder push rod needs a minimum of 1" of stroke if using a  $\frac{3}{4}$ " bore master cylinder. Less travel is required with a larger diameter bore, although pedal effort will increase. More travel is required with a smaller diameter bore, with decrease in pedal effort. If a larger than  $\frac{3}{4}$ " bore is required for your application, you can ease pedal effort by mounting the master cylinder and push rod higher up the pedal toward the pivot point. This will increase the amount of leverage you have with the pedal, thus an easier push. You will lose some push rod travel by doing this. However, with the larger bore master cylinder you are dispensing more fluid per stroke to compensate for the loss of pedal travel.

A 6 to 1 ratio is recommended with a  $\frac{3}{4}$ " bore master cylinder. Example...If the center of the pedal pad is 12" from the pivot point, the push rod connecting point should be 2" below the pivot point. Quick math: Pedal pad is 12" from pivot point, divided by 6 (desired ratio) = 2". A push rod should be attached to the pedal assembly 2" from the pivot point.

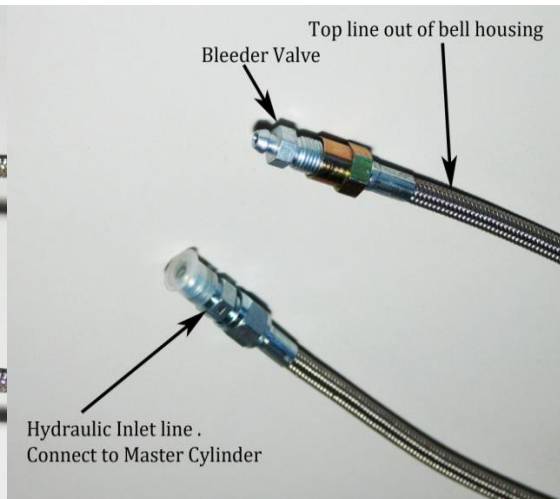


**Figure A**

Inspect the bearing assembly and note the AN -4 lines, inlet fitting, swivel fittings, bleeder fitting, release bearing and adjusting screw at rear of assembly. The adjusting screw includes two O-rings on the ID of the adjuster screw, these are an interference fit to the transmission input shaft collar. The O 'Rings are your anti-rotational mechanism, there is no anti-rotation pin to add to the bearing retainer like brand X. (Figure B). Prior to installing the bearing assembly, it is strongly recommended you fabricate a protective cover for the AN -4 lines where these lines exit the bell housing. The protective cover can be rubber hose, such as heater hose or similar material. This hose should be about 2" in length for each AN -4 line. Slice the rubber hose lengthwise and slip it over the AN -4 lines and secure with zip ties or safety wire. This will prevent the AN -4 lines from chafing on the bell housing and prematurely failing.



**Figure B**



**Figure C**

Step 1) Screw the 'Adjusting Screw' all the way into the bearing assembly. Slip the bearing assembly onto the input shaft collar on the transmission. Be sure the tapered side of the adjusting screw goes on the transmission collar to seat against the base of the collar. This should be a tight fit, if necessary to ease installation lube the O-rings with a light coat of DOT 3 or 4 brake fluid or O-ring assembly lubricant. **Do not use grease or oil!!** Be sure the AN -4 lines are forward for ease of assembly.

**Always have the AN -4 line with the bleeder valve at the top when the bearing is properly adjusted. If the desired clearance can only be reached with the bleeder line at the bottom it is OK to swap the lines to the swivel fittings. Remember the line with the bleeder valve must be at the top 12 O'clock position!**

STEP 2) The braided steel AN -4 lines on the hydraulic bearing are designed to swivel. Before installing the transmission, swivel both lines forward parallel with the input shaft. Tie a heavy string around both lines, making the string long enough to feed the string through the opening in the bell housing where the lines will feed through (typically the fork hole) before the transmission is fully engaged into the bell housing. As the transmission is installed into the bell housing the string can be pulled simultaneously, thus swiveling, and guiding the AN -4 lines out through the bell housing hole. These lines must not contact the spinning clutch or flywheel when the engine is running. Be sure the protective hose on the lines is in the proper position to protect the AN -4 lines from chafing on the bell housing. Zip Tie or use a rubber lined worm clamp to tie off the bleeder hose away from free moving parts.



Step 3) After securing the transmission and driveline; connect a line from the master cylinder (not included with the bearing assembly) to the input line (bottom line) of the hydraulic bearing. This bearing assembly is supplied with an A.N.-4 male fitting screwed into the line. Fill the master cylinder with DOT 3 or DOT 4 brake fluid. **DO NOT USE SILICONE DOT 5 FLUID!! Use of silicone fluid will damage the O-rings resulting in leaks and or damage to the assembly.** Bench bleed the master cylinder. After the master cylinder is filled and bench bled, bleed the bearing assembly. Example: Pump the pedal multiple times, with the bleeder valve open and the end of the opening submerged in a cup partially filled with brake fluid. This will release fluid and air trapped in the system. Continue the bleeding process until all the air is removed from the system. Now reach into the cup and tighten the bleeder fitting. Set the cup aside and then be sure to tighten the bleeder valve. Once the bleeding is complete refill the master cylinder, just don't fill it all the way to the top. The fluid level should be 1/2" to 3/4" from the top. This will allow room for the brake fluid in the reservoir when the bearing self-adjusts. Unlike brakes, the fluid level **will rise** in the reservoir, as the clutch wears, not lower.

## **Spacers**

We offer a spacer that goes on the guide tube of the bearing retainer prior to the main body of the hydraulic bearing is installed. This spacer is made when bulk movement of the bearing assembly is needed, and the proper clearance can't be achieved with the adjustment screw alone. The spacer is .700" thick and is installed with the beveled side facing the transmission and the flat side facing the bearing assembly. You can stack multiples if needed just as long as the adjustment screw installed inside the bearing assembly has full surface area contact on the transmissions guide tube.



We offer different spacer part numbers based on the ID of the spacer that will register on the guide tube of the transmission. **(Sold Separately)**

1422 – GM/Ford/Pantera ZF Applications. 1.310" I.D.

1429 – GM Applications. 1.375" I.D.

1428 – Pantera ZF Transmissions. 1.330" I.D. (.300" Thick)

1439 – Ford Applications. 1.430"

## **Replacement Parts (Sold Separately)**

Seal Rebuild Kit – 139115.

Replacement Bearing – 139050

Replacement Bleeder Hose – 139009-11

Replacement Supply Hose – 139100-11



## Limited Warranty

McLeod Racing LLC, products are warranted to be free from defects in material and workmanship for the period of **ninety (90) days**, from the date of purchase. McLeod does not warrant or make any representations concerning its products when not installed and/or used strictly in accordance with the manufacturer's instructions for such, installation, and operation, and in accordance with good installation and maintenance practices of the automotive industry. Products purchased used do not carry a warranty. This warranty is for the original purchaser and is non-transferable. **McLeod Racing LLC will not be held liable for the labor charges and other intangible or consequent losses that might be claimed as a result of the failure of any part, nor shall it be liable for damages or injury to persons or property resulting from the misuse or improper installation of any part subject to this warranty.**

No merchandise may be returned for any reason unless a prior return merchandise authorization number (RMA) has been obtained from McLeod. An RMA number may be obtained via email at [info@mcleodracing.com](mailto:info@mcleodracing.com) or by calling McLeod directly 714-630-2764.

McLeod Racing LLC reserves the right to examine all parts returned for warranty claim to determine whether any such part has failed because of a defect in material or workmanship. McLeod's obligation under this warranty shall be limited to repairing, replacing, or crediting, at its option, any part found to be defective. All products returned to McLeod for warranty inspection must be prepaid by the customer under this warranty. In a racing environment, the type of stress placed on automotive parts can vary dramatically by the type of use, driving style, track preparation, differing tire style and other variables that are out of McLeod's control.

**For this reason, any parts used in a racing environment shall be void of any warranty either expressed or implied.** There are no other warranties, either expressed or implied including, but not limited to, warranty of merchantability, and warranty of fitness for a particular purpose which extend beyond those set forth in the preceding paragraphs. This warranty shall be interpreted and applied in accordance with California law. For any changes or updated versions of the warrant described above, please refer to [www.mcleodracing.com](http://www.mcleodracing.com) before installation of product.

**I0014  
(714) 630-2764**

[www.mcleodracing.com](http://www.mcleodracing.com)